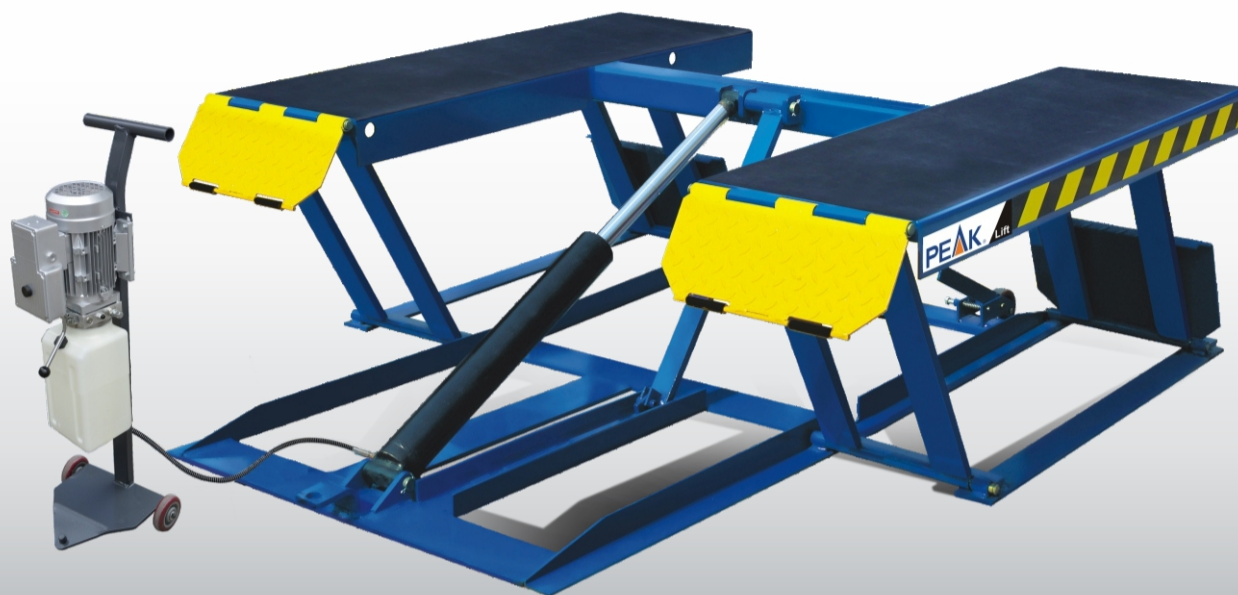


MODEL LR06

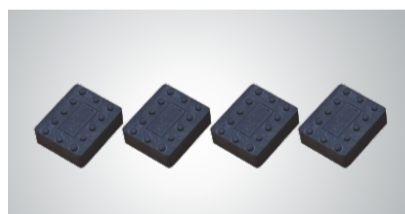
Portable Low- rised Lift

PEAK[®] Lift

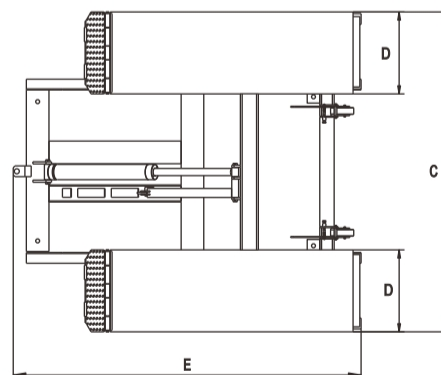
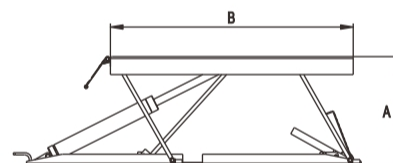


FEATURES

- Multifunctional safety locks with mechanical release.
- Portable unit is easy to move with the power unit stand
- High speed: From 0-600 mm (23-5/8") in just 25 seconds
- Standard rubber pads included



Rubber Lift Pads 1 1/2" height



SPECIFICATIONS

| Model | Lifting Capacity | Lifting Time | A | | B | C | D | E | Gross Weight | Motor |
|-------|-----------------------|--------------|--------------------|-------------------|---------------------|-----------------|----------------|---------------------|-------------------|-------|
| | | | Lifting Height | Minimum Height | Runway Length | Overall Width | Runway Width | Overall Length | | |
| LR06 | 2.8 T (6,000 lbs.) | 25 Seconds | 600mm (23 5/8") | 105mm (4 1/8") | 1352mm (53 1/4") | 1780mm (70") | 456mm (18") | 1938mm (76 1/4") | 385kg (849lbs) | 3.0HP |