

FEATURES

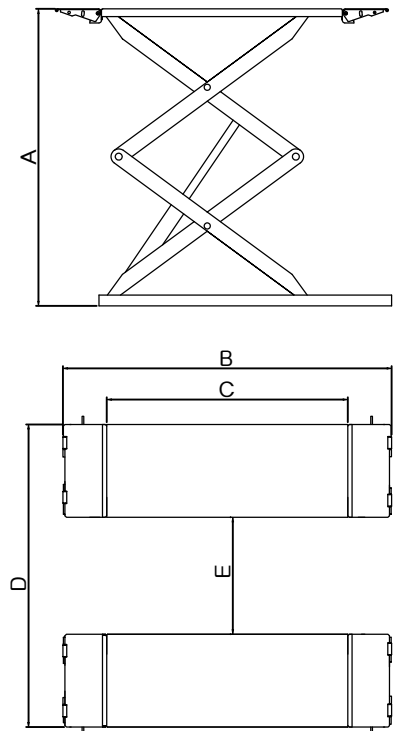
- 2-Dual synchronous cylinders are applied to assure the lifting level on both platforms
- Automatic safety device controlled electrically. No air needed
- **Hydraulic safety locks system instead of the mechanical safety locks**
- Hydraulic equalization for easy access between ramps
- Electrical control system operated by Up or Down button
- Low profile design. The closed height is only 115 mm



Dual synchronous cylinders



Optional: Leveling bar&kits
Kits No.: SX003



The SX07 is equipped with the safety stop device at the height of 300mm, two control buttons are needed to lower down the lift from 300mm to ground with tone alarm for safety.

The SX07 is designed on the C.E.2010 version EN1493

SPECIFICATIONS

| Model | Lifting Capacity | Lifting Time | A | | B | C | D | E | Gross Weight | Motor |
|-------|----------------------|--------------|---------------------|-------------------|-----------------|---------------------|---------------------|-----------------------|---------------------|-------|
| | | | Max.Lifting Height | Minimum Height | Overall Length | Runway Length | Overall Width | Width Between Runways | | |
| SX07 | 3000kg (7,000lbs) | 42S | 2000mm (78 3/4") | 115mm (4 1/2") | 2034mm (80") | 1464mm (57 5/8") | 1950mm (76 3/4") | 750mm (29 1/2") | 861kg (1,898lbs) | 3.0HP |