

FEATURES

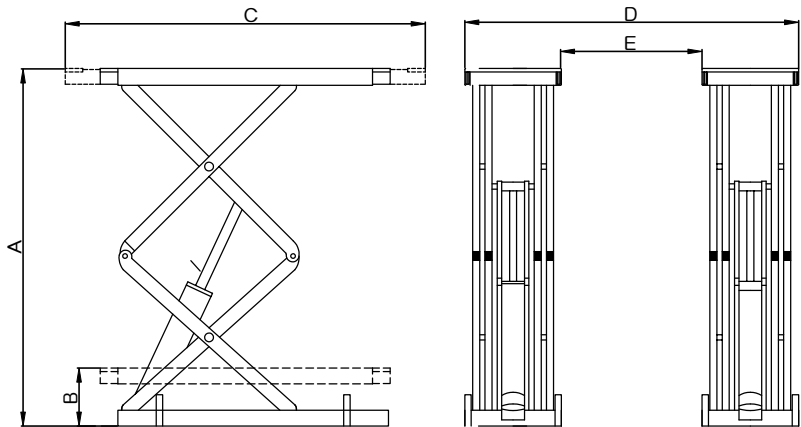
- Electric/Hydraulic power system
- Dual synchronous cylinders are applied to assure the lifting level on both platforms
- Platforms are designed to be extended. It is suited for most of the car
- Automatic safety device. The safety release is operated by air cylinders
- Electric-air control cabinet
- Hydraulic equalization, No torsion bar need



Automatic Safety Device



Extended Platforms



SPECIFICATIONS

Model	Lifting Capacity	Lifting Time	A	B	C	D	E	Gross Weight	Motor
			Max.Lifting Height	Mini Height	Runway Length	Overall Width	Width Between Runways		
SX09F	4000kg (9,000lbs)	49S	2230mm (87 3/4")	350mm (13 3/4")	1654-2054mm (65 1/8"-80 7/8")	1900mm (74 3/4")	800mm (31 1/2")	917kg (2,021lbs)	3.0HP