

MODEL MC-600

Motorcycle & ATV Specialty Lift

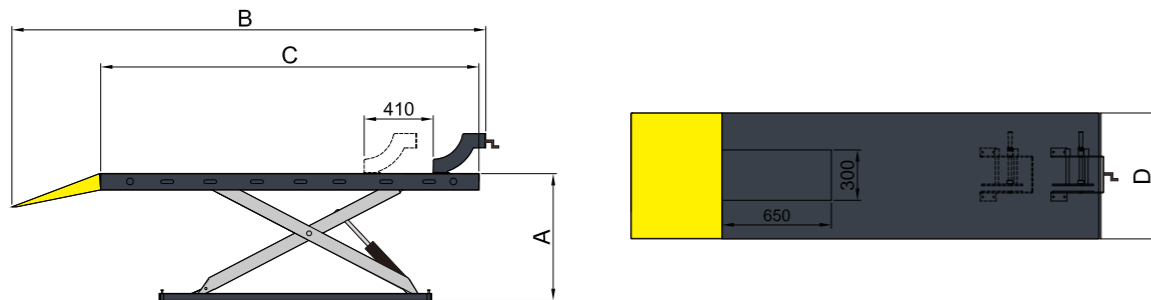
<http://www.peaklift.cn>

The MC-600 is a professional motorcycle & ATV lift with a 600kg capacity. It comes standard with the wheel vise and approach ramps. The MC-600 can be shipped with the width and length extension kits upon request.



FEATURES

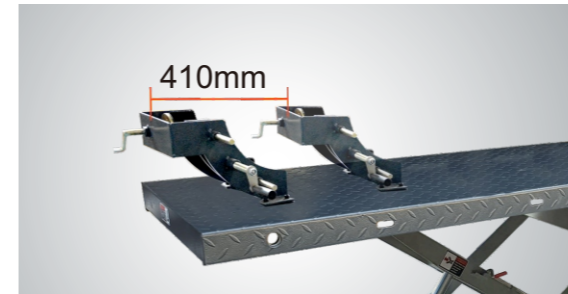
- 600kg lifting capacity.
- Control cabinet with electric hydraulic control.
- Automatic safety lock activating.
- Wide platform with several slots on each side to apply vehicle tightening belts.
- Hydraulic cylinder with flow restrictor for stable and smooth lowering of the vehicle.
- Advanced features such as the plastic tool tray and rear tire removal cover.



MODEL MC-600

Motorcycle & ATV Specialty Lift

PEAK Lift



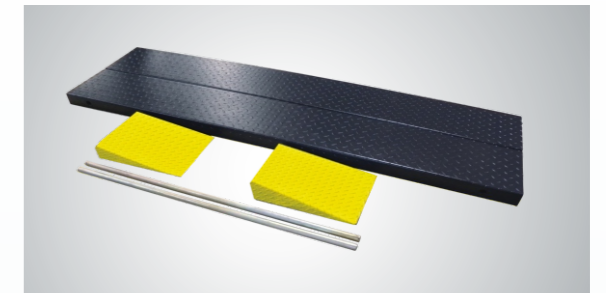
▲ Front Wheel Vise Front wheel vise with an adjustable positioning distance of 410mm.



▲ Rear Tire removal cover removable platform cover plate is convenient for rear wheel changing.



▲ Optional length extension kit adds an extra 400mm length on the platform for the long axle vehicle. Kits No.: MC002



▲ Optional Width extension kit adds an extra width of 600mm on the platform to be suitable for three or four-wheel motorcycles. Kits No.: MC001



▲ Optional vehicle securing belt tightens the vehicle before lifting. Kits No.: MC006



▲ Optional lifting jack lifting capacity: 500kg. Perfect for wheel removal. Kits No.: MC005

SPECIFICATIONS

Model	Style	Lifting Capacity	Lifting Time	A		B	C	D	Gross Weight	Motor
				Lifting Height	Minimum Pad Height	Overall Length (Inc.Ramp)	Runway Length	Overall Width		
MC-600	Motorcycle	600kg (1,320lbs)	24 Seconds	1090mm (42 7/8")	155mm (6 1/8")	2700mm (106 1/4")	2250mm (88 1/2")	750mm (29 1/2")	260kg (573lbs)	1.5HP