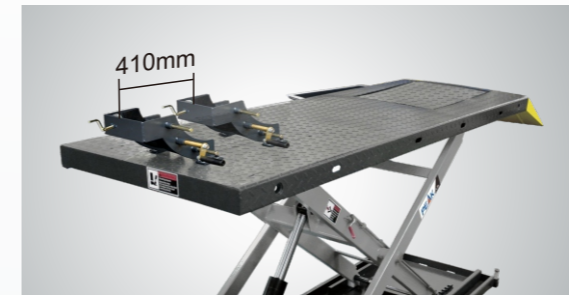
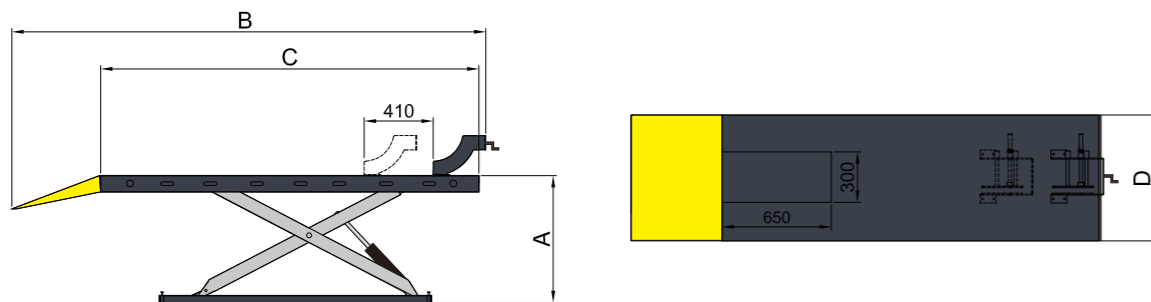


The MC-600P has same steel structure as the MC-600, but adopt pneumatic hydraulic pump as the power supply in stead of electricity.



FEATURES

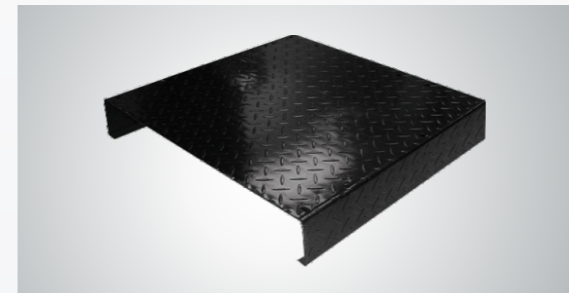
- Pneumatic hydraulic pump control
- Manual release safety lock with auto activation
- Skid proof diamond platform
- Removable rear cover convenient for rear wheel changing.
- Quick install and dismount approach ramps
- Adjustable wheel vise installing to extend axle base up to 410mm(16 1/8")
- Wheel vise design imitate the tire cure shape with screw adjustment
- Standard tool tray



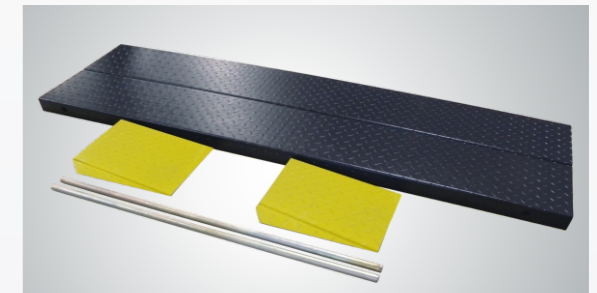
▲ Front Wheel Vise Front wheel vise with an adjustable positioning distance of 410mm.



▲ Rear Tire removal cover removable platform cover plate is convenient for rear wheel changing.



▲ Optional length extension kit adds an extra 400mm length on the platform for the long axle vehicle. Kits No.: MC002



▲ Optional Width extension kit adds an extra width of 600mm on the platform to be suitable for three or four-wheel motorcycles. Kits No.: MC001



▲ Optional vehicle securing belt tightens the vehicle before lifting. Kits No.: MC006



▲ Optional lifting jack lifting capacity: 500kg. Perfect for wheel removal. Kits No.: MC005

SPECIFICATIONS

Model	Style	Lifting Capacity	Lifting Time	A		B	C	D	Gross Weight	Air pressure range
				Lifting Height	Minimum Pad Height	Overall Length (Inc. Ramp)	Runway Length	Overall Width		
MC-600P	Motorcycle	600kg	23Seconds	155-1090mm (61/8"-43")	155mm (6 1/8")	2700mm (106 1/4")	2250mm (88 5/2")	750mm (29 1/2")	212kg (468lbs)	0.6MPa